

Sporting Clays • Trap • Skeet

Celebrating
42
Years!

Hunting

Shotgun Sports

America's

Leading Shotgun Magazine



SYREN

Elos N2 Elevate
Gun Test

Gun Test



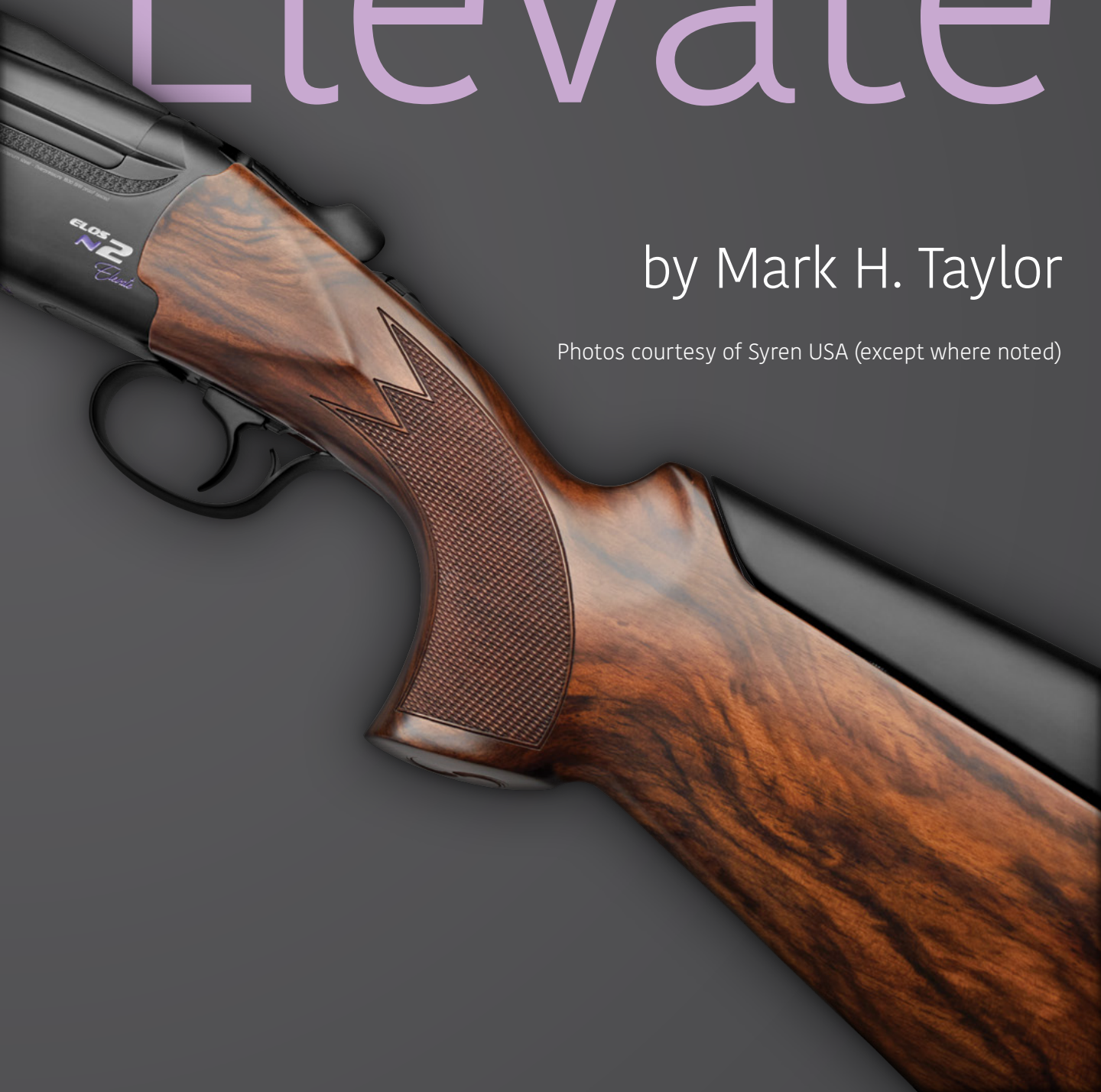
SYREN

The new Syren Elos N2 Elevate allows the shooter to adjust all critical specifications, making it easy to fine-tune the gun to your shooting style.

Elos N2 Elevate

by Mark H. Taylor

Photos courtesy of Syren USA (except where noted)



SYREN Elos N2 Elevate



Michelle Taylor, an avid trapshooter, said the Syren Elos N2 Elevate had a better fit, allowed more of a heads-up position on the stock and had less recoil than her current shotgun.

Photo by Mark H. Taylor

Last year approximately 40% of the students in my introductory shotgun clinics were women. Many ask, are any shotguns made specifically for women — just like golf equipment manufacturers make golf clubs specifically for women? Good question and good news! Syren designs guns specifically for women from the ground up. They don't take a shotgun designed for a man, cut down the stock, paint it pink and call it a woman's shotgun. Seven functional features make Syren shotguns fit women shooters better than other shotguns: Length Of Pull (LOP), Pitch, Cast at Heel, Cast at Toe, Drop at Monte Carlo, Reach and Weight.

4 August 2020

Upon receiving the Syren Elos N2 Elevate, I first noticed the case, a hard-plastic outside with form-fitting cutouts and foam on the inside to protect the shotgun. There are also loose pieces of hard foam squares which can be moved around in the case to ensure the shotgun fits securely in the cutouts when transporting the shotgun. Velvet socks cover both the stock/receiver and the barrel/forearm to further protect the gun from potential scratches or dings.

The Syren Elos N2 Elevate went together like most over/under shotguns. Most noticeable as I opened and closed it a few times was the smoothness upon which it opened for being a new gun. Many new guns require you to use all

your shoulder and back muscles to get them to open and close for a few thousand rounds — not this gun. The smoothness is an extremely good characteristic, as the intended buyer and shooter for this gun is a female. The average weight of this gun is listed at 7 lb., 10 oz. (weights may vary based on wood density).

I threw in some snap caps to try the trigger pull, and it came in at a crisp 3½ lbs. for both barrels (which is what Syren lists in their catalog for all their Sporting models). This gun has inertial triggers and ejectors which do a good job of ensuring the spent hull lands well behind the shooter. Similar to many break-open shotguns, at the very back of the top of the receiver is a manual Safety



Champion shooter Katie Lackey put the Syren Elos N2 Elevate through its paces on the sporting clays course. She remarked on how fluid the gun was to mount and swing for pairs. Her comment after she smoked the first pair of targets: "This gun is sweet." *Photo by Mark H. Taylor*

which also includes the first-shot-barrel-selector — with one visible dot, the bottom barrel will fire first and with two visible dots, the top barrel will fire first.

Upon arrival, the adjustable trigger was in the middle of the rail it rides back-and-forth on (the rail is $\frac{1}{2}$ " in length), making the LOP right at $13\frac{3}{4}$ ". It was very easy to adjust using the tool provided, and I moved it all the way to the rear of the rail, which made the LOP be $13\frac{1}{2}$ ". The stock of the N2 Elevate has the Micro-Metric 3D adjustable stock, which is adjustable both horizontally and vertically. Adjusting the comb is very easy using the wrenches supplied. The hardware used by the Micro-Metric 3D system is one of the best I have seen and

appears to hold the comb more securely in place than just two vertical rods found on many shotguns. The Schnabel forearm is not overly large and should fit comfortably for most women's hands.

While the stock on the Syren Elos N2 Elevate appears similar to the Syren Elos N2 Sporting, the geometry on the stock has been changed to provide a much more heads-up shooting position. This was done to maximize the advantages the Quick Release Rib (QRR) system provides. Maintaining a consistent heads-up shooting position ensures the N2 Elevate will provide the shooter the Point Of Impact (POI) each rib was designed to produce. The N2 Elevate comes with two ribs which are designed

to interchange depending on the POI desired by the shooter's preference and/or the game being shot. One rib has a POI of 50/50, and another rib has a POI of 65/35.

I wanted to see just how simple it would be to change the ribs, so I tried doing it before I took the shotgun to the range. It turns out that swapping the ribs is very easy. The way it is done is by sliding the pin situated at the rear of the rib out. I found it easiest to use the handle on the choke tube wrench to push it to one side (I used a cloth between the choke tube handle and the pin so as not to scratch with metal on metal). Once the pin slides out, the rib slides forward off its rails and into your hand. Install-

SYREN Elos N2 Elevate



ing the other rib is just as easy but in reverse. The rib is placed on top of its rails, then slid backward until the holes line up at the rear of the rib. The pin is now inserted by hand, so it is securely in place.

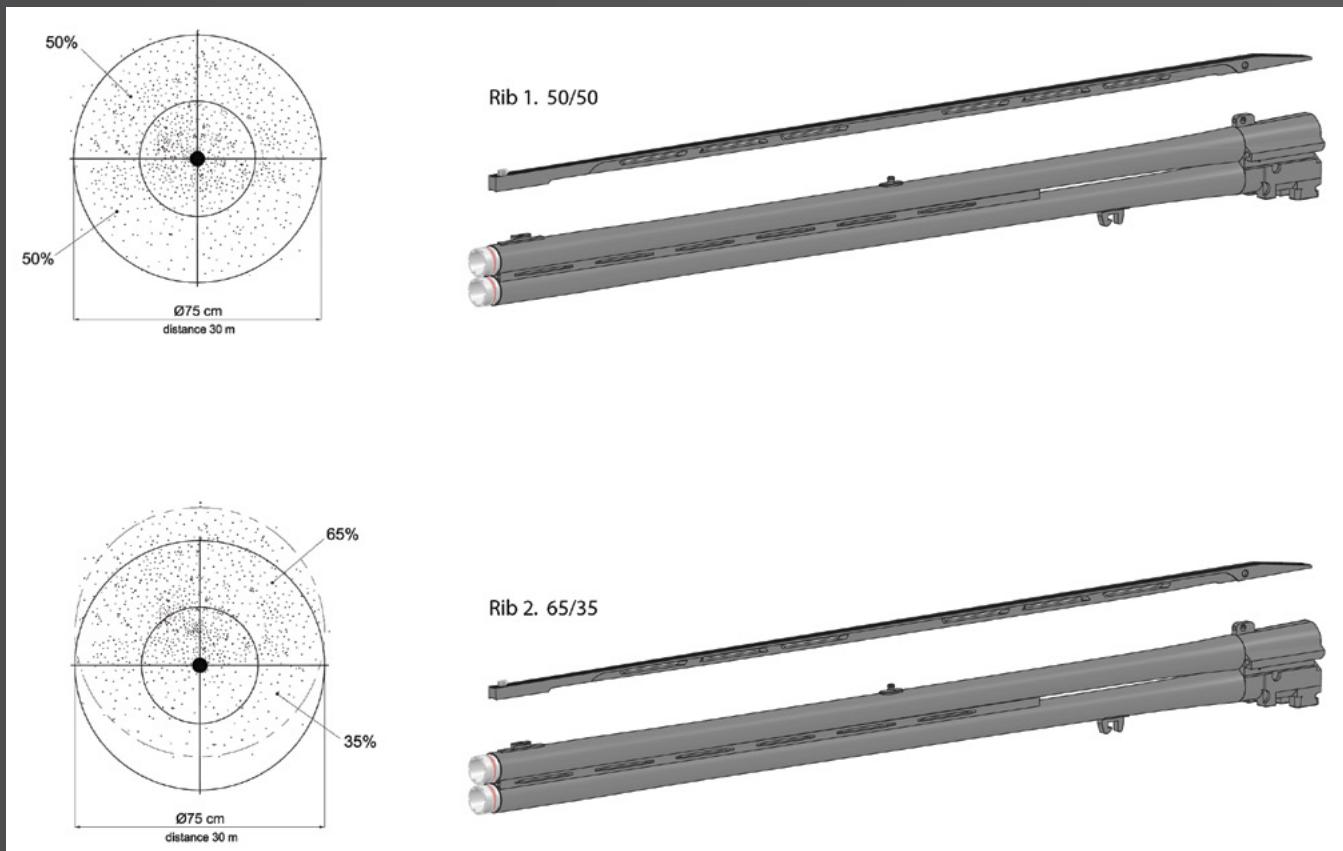
The Syren Elos N2 Elevate sent to me came with a 30" barrel and five Hyperbolic EXIS HP™ Competition Choke Tubes (1-Skeet, 2-Improved Cylinder,

5-Modified, 7-Improved Modified and 9-Full). While these chokes are extended and can be screwed in by hand, I used the tool to secure them after getting snug with my fingers.

Like most admirers of fine shotguns, I really like a nice-looking stock and forearm on a shotgun. The Syren Elos N2 Elevate's stock appeared to be well above a standard grade wood. The lines of the

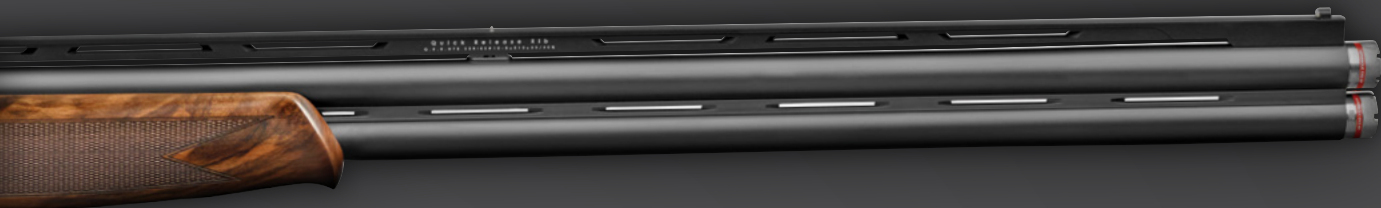
Turkish walnut stock and forearm makes a statement the moment it leaves the case. This stock and forearm are an enhanced Fabarm proprietary TRIWOOD™, which has a protective covering on it. The dark grain in the wood accents the black satin receiver and displays the outstanding wood-to-metal finish on the Syren.

To see how the gun shoots, I took it out to Colorado Clays Shooting Park



The Quick Release Rib (Q.R.R.) system provides the Elevate with the ability to swap ribs for various shooting configurations in order to compete in multiple disciplines like trap, skeet and sporting clays.

Two ribs come standard, one at 50/50 P.O.I. and the other at 65/35 P.O.I.



Adjustable features make the new
Syren Elos N2 Elevate customizable and comfortable
for one – or multiple – clay target disciplines.

in Brighton, Colorado. This is an outstanding venue for a gun test since they have trap, skeet, sporting clays and a patterning board. My first stop was at the patterning board. The adjustable comb on the Syren Elos N2 Elevate was extremely easy to work with. Within minutes, I had it adjusted so the beads lined up in a figure-8 pattern. The gun came with the 50/50 rib already installed, so I left that rib on and patterned it at 35 yards. As advertised, the POI was 50/50. So I changed over to the 65/35 rib to see how that would pattern. The process of changing ribs takes less than 30 seconds. However, one must be careful not to lose the pin which secures the rib at the back by the receiver. Patterning with this rib again confirmed the advertised POI of 65/35.

Since Syren shotguns are made for women, I enlisted the assistance of two female shooters to shoot the Syren Elos N2 Elevate and offer their opinions. The first was my daughter Michelle, an avid trapshooter who averages 82 at 16 yards. The first thing she noticed when she picked up and mounted the Syren Elos N2 Elevate was how much better it fit her compared to her current shotgun. While the LOP on her current shotgun has the same LOP as the Syren Elos N2 Elevate, it does not have the other features (more cast, more pitch and smaller reach). She had me adjust the comb so that she obtained a figure 8 when looking down the rib, put in the choke marked number 7 (Improved Modified), grabbed a box of Herters #8 shotshells and walked to the trapline. After four rounds of trap, her scorecard showed an 86. She commented on how the Syren Elos N2 Elevate seemed to fit her better, allowed more

of a heads-up position on the stock and had less recoil. I attribute that to the fact the Syren Elos N2 Elevate is made for women shooters.

To see how this shotgun would perform at handicap, I put the comb back to where I could see a figure 8 down the rib, put in the choke marked number 9 (Full), grabbed a box of Herters #7½ shotshells and walked to the 27-yard line. While I only shot one round, I was extremely happy with my score of 23. The LOP was a little short for me. However, it was not so short that I had trouble shooting it. And, more than half of those 23 hits were solid balls of smoke. I attribute this to the fact, in my experience, the Syren chokes run a tad tighter than other chokes of the same constriction.

I enlisted the help of a friend's daughter to put the Syren Elos N2 Elevate through its paces on the sporting clays course. Katie Lackey is a NSCA All-American and champion shooter, and I knew she would give me her honest opinion of what she thought of this gun. She first installed the 50/50 rib and set the comb, so it was a figure 8 for her. With the two boxes of Herter's 1 oz. 8s and the two boxes of Herter's 1 oz. 7½s, she attacked the course. Upon completion, she showed me her scorecard which posted an 85 — a good score on a tough course. She was very complimentary on how fluidly the Syren Elos N2 Elevate was to mount (when starting with a low gun) and swing for pairs, the minimal amount of felt recoil and the balance of how the shotgun felt between her hands. After the first pair of targets Katie shot, she turned to me and said, "This gun is sweet." Similar to my comment when shooting handi-

cap, Katie was surprised how hard the targets were hit with some of the more-open chokes.

For women shotgun shooters who want a world-class shotgun which can be used to shoot one clay target discipline, or multiple clay target disciplines, the Syren Elos N2 Elevate is the best — if not the only — option to look at. This Italian-made, competition-grade 12 gauge, 30" shotgun has an MSRP of \$3,125. Adjustable features make this gun customizable and comfortable. Women shooters will not have to adjust to the gun but rather the gun can be adjusted to match each shooter's style. **SS**

Mark H. Taylor has over 40 years of shooting experience. He has won many regional, state, national and international clay target competitions. He is the author of the book *Clay Target Shooting – The Mental Game* and co-author of the book *Break 'em All* (see page 46). Mark is a NRA Certified Advanced International Shotgun Coach and a High-Performance Shotgun Coach for USA Shooting. He is a Caesar Guerini and Cabela's (in Thornton, CO) Pro Staff shooter, and teaches monthly beginner shotgun clinics at Colorado Clays in Brighton, CO, and travels nationally and internationally teaching coaching courses and working with world-class athletes. You can email him at coloradotaylor@gmail.com.



The Elevate comes with 5 EXIS HP™
Competition Choke Tubes.



Digital Issues Now Available

Now you can have your monthly edition of *Shotgun Sports* delivered to your email address as well as your mailbox!

Shotgun Sports is now in digital form!

Order your digital version of *Shotgun Sports* by visiting www.shotgunsportsmagazine.com.

Call 800-676-8920 to order your printed subscription to *Shotgun Sports* magazine.

ShotgunSports